

lavanto® shower:

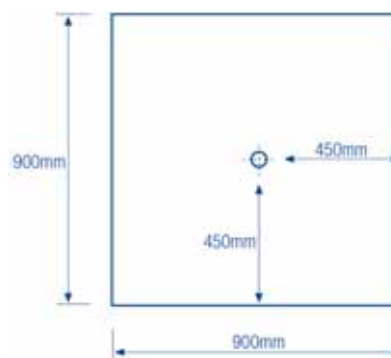
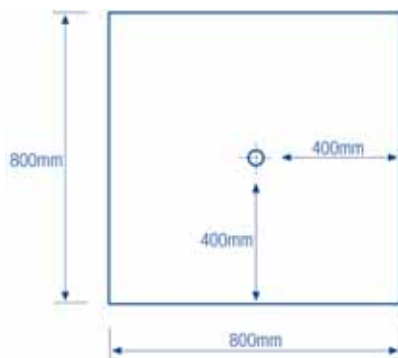
## Shower Trays made of Solid Surface Material.

---

**Docca 800-800.**



**Docca 900-900.**



---

HI-MACS® 800-800-H

HI-MACS® 900-900-H

---

On request the frame of all sizes available can be extended by a maximum of 95 mm.

Shower trays made of the solid surface material HI-MACS® have a thickness of 9 mm.

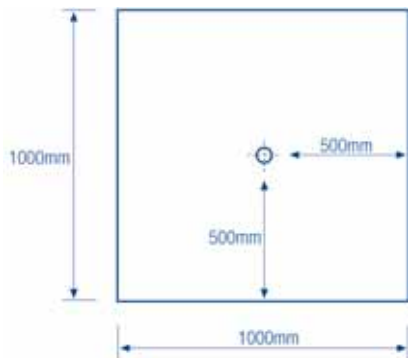
They are available for delivery in the colour S28 Alpine White and colour groups Solids, Sands & Pearls, Quartz and Granite.

On request, the Docca series can be produced in HI-MACS® colours that are available only in 12 mm material.

---

## Docca 1000-1000.

---



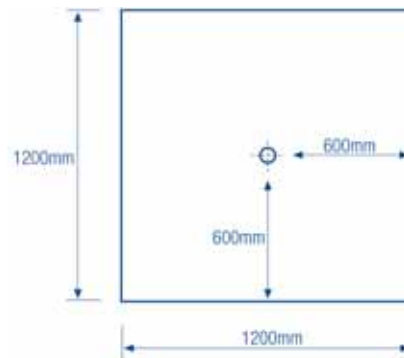
---

HI-MACS® 1000-1000-H

---

## Docca 1200-1200.

---



---

HI-MACS® 1200-1200-H

---

lavanto® shower:

## Shower Trays made of Solid Surface Material.

On request the frame of all sizes available can be extended by a maximum of 95 mm.

Shower trays made of the solid surface material HI-MACS® have a thickness of 9 mm.

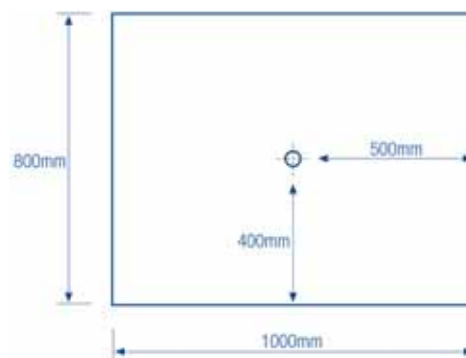
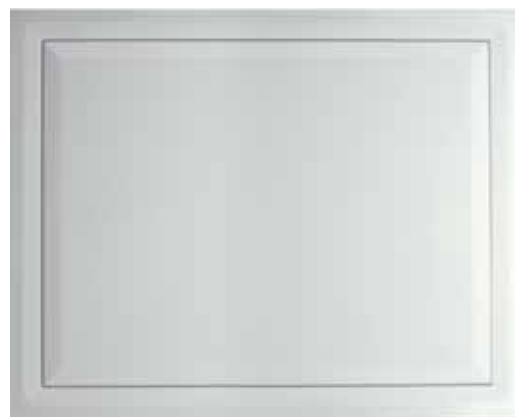
They are available for delivery in the colour S28 Alpine White and colour groups Solids, Sands & Pearls, Quartz and Granite.

On request, the Docca series can be produced in HI-MACS® colours that are available only in 12 mm material.

---

### Docca 1000-800.

---



---

HI-MACS® 1000-800-H

---

### The perfect system installation

