

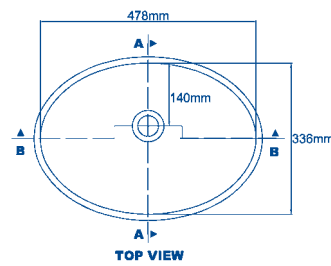
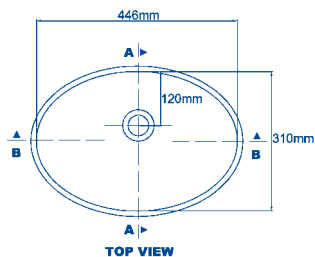
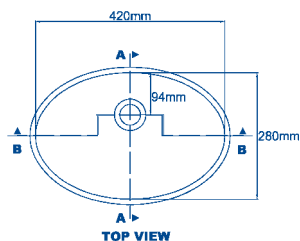
lavanto[®] bowl:

Oval Bowls made of Solid Surface Material.

Como.

Quanto.

Uno.



HI-MACS[®] 420-H

HI-MACS[®] 446-H

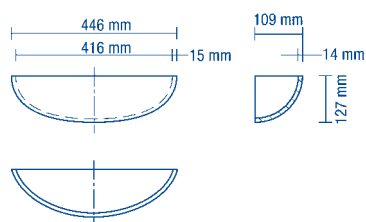
HI-MACS[®] 478-H

This bowl is available only in a limited colour range!

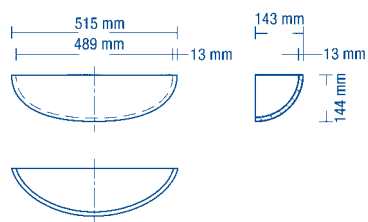
This bowl is available only in a limited colour range!

This bowl is available only in a limited colour range!

Front skirt

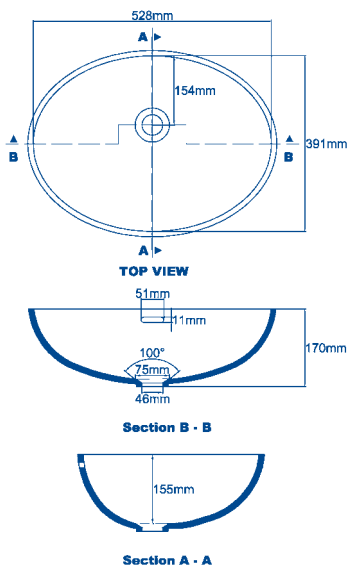


Front skirt



lavanto[®] (product and registered trademark of Roskopf & Partner)
HI-MACS[®] (product and registered trademark of LG)

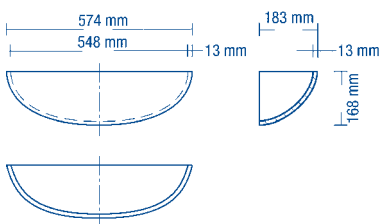
Grande.



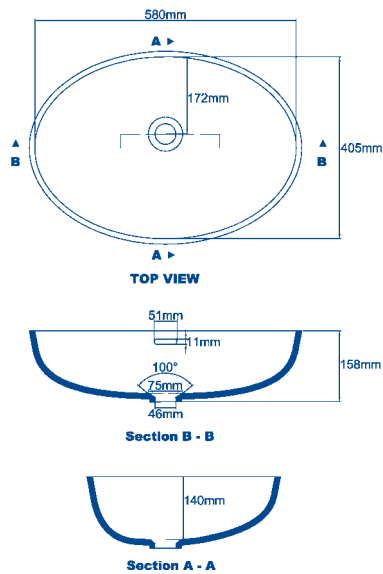
HI-MACS® 528-H

This bowl is available only in a limited colour range!

Front skirt



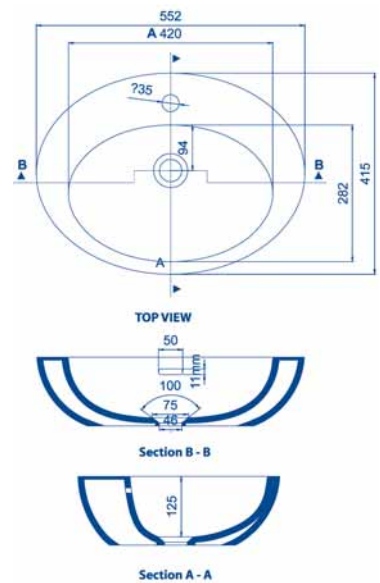
Landro.



HI-MACS® 580-H

This bowl is available only in a limited colour range!

Lucca.



HI-MACS® 552-H

This bowl is available only in a limited colour range!

The oval bowls of the **lavanto**® bowl series are made of high-quality solid surface material. Suitable for every possible application and any modern washstand, the bowls can be used in hospital, hotel and private bathrooms. The full range of colours is available with only few exceptions.

A perfectly fitted and 3D thermoformed bowl cladding made of solid surface material is available to enclose the visible part of the Como, Uno and Grande bowls.